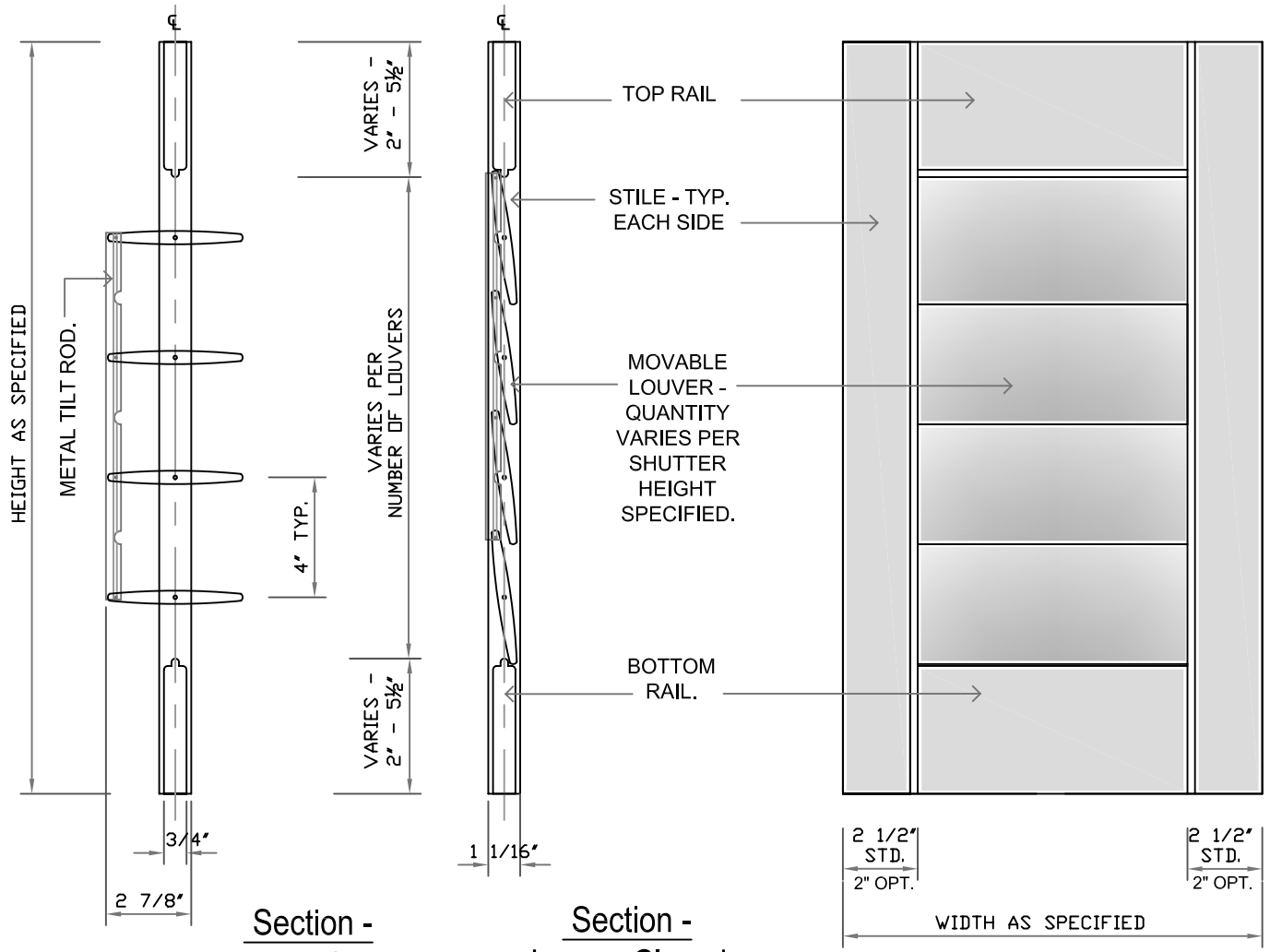


**Architectural
Design
Shutters**

**INTERIOR CLEARVIEW LOUVER SHUTTER.
4 1/2" WOOD LOUVER,
METAL TILT ROD.**

947 CENTRAL AVE. NAPLES, FLORIDA 34102 TEL: 239 - 572 - 0904 FAX: 239 - 236 - 2003 WEB: WWW.ADSSHUTTERS.COM



MODEL NUMBERS:

MATERIALS:

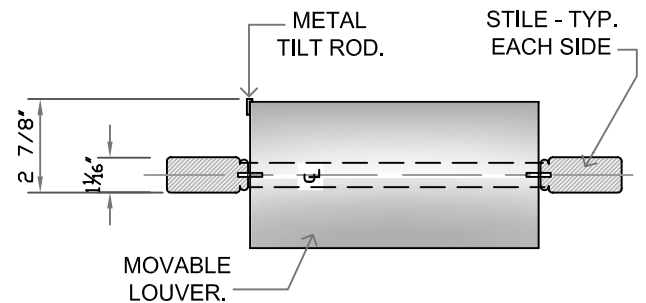
- STANDARD
 ○ ICWM-P-4.5
 OPTIONAL
 ○ ICWM-M-4.5
 ○ ICWM-MH-4.5
 ○ ICWM-W-4.5
 ○ ICWM-A-4.5
 ○ ICWM-C-4.5

- PAINT GRADE SOLID POPLAR.
 STAIN GRADE SOLID MAPLE.
 STAIN GRADE SOLID MAHOGANY.
 STAIN GRADE SOLID WALNUT.
 STAIN GRADE SOLID ASH.
 STAIN GRADE SOLID CYPRESS.

SPECIFICATIONS

DESCRIPTION:

WOOD LOUVER PANEL: SOLID WOOD LOUVERS, RAILS & STILES. WOOD SPECIES AS SPECIFIED.
 TILT ROD: 34 GAGE PAINTED METAL.
 FINISH: AS SPECIFIED.



Plan View Louver Open

Scale: 2" = 1'-0"