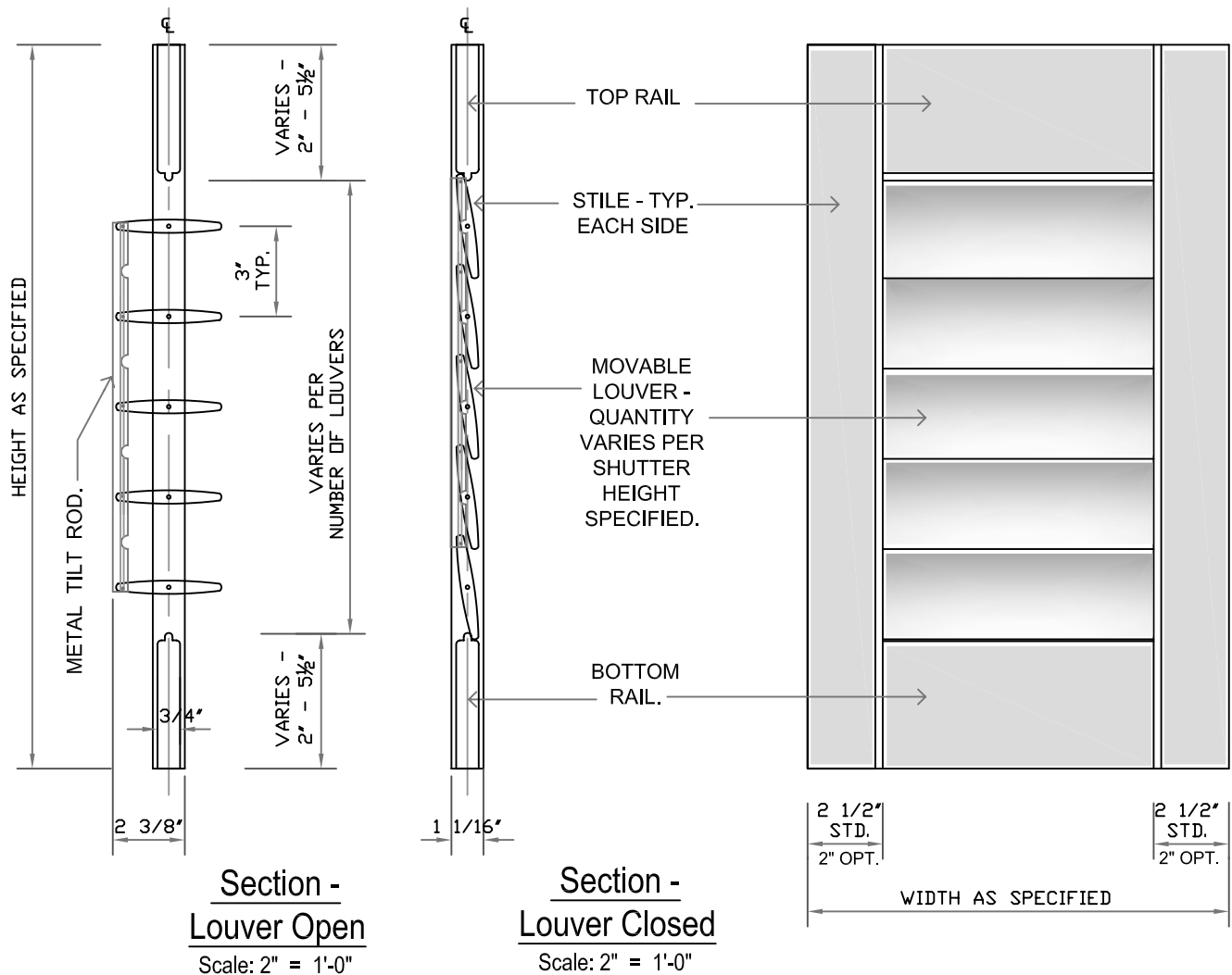


**Architectural
Design
Shutters**

**INTERIOR CLEARVIEW LOUVER SHUTTER.
3 1/2" WOOD LOUVER,
METAL TILT ROD.**

947 CENTRAL AVE. NAPLES, FLORIDA 34102 TEL: 239 - 572 - 0904 FAX: 239 - 236 - 2003 WEB: WWW.ADSSHUTTERS.COM



MODEL NUMBERS:

MATERIALS:

- | | |
|---------------|-----------------------------|
| STANDARD | |
| ○ ICWM-P-3.5 | PAINT GRADE SOLID POPLAR. |
| OPTIONAL | |
| ○ ICWM-M-3.5 | STAIN GRADE SOLID MAPLE. |
| ○ ICWM-MH-3.5 | STAIN GRADE SOLID MAHOGANY. |
| ○ ICWM-W-3.5 | STAIN GRADE SOLID WALNUT. |
| ○ ICWM-A-3.5 | STAIN GRADE SOLID ASH. |
| ○ ICWM-C-3.5 | STAIN GRADE SOLID CYPRESS. |

SPECIFICATIONS

DESCRIPTION:

WOOD LOUVER PANEL: SOLID WOOD LOUVERS, RAILS & STILES. WOOD SPECIES AS SPECIFIED.
TILT ROD: 34 GAGE PAINTED METAL.
FINISH: AS SPECIFIED.

