

**MODEL NUMBERS:**

**MATERIALS:**

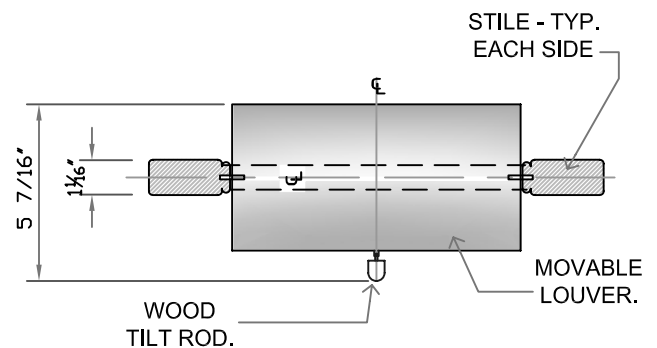
- STANDARD
- IWW-P-4.5
- OPTIONAL
- IWW-M-4.5
- IWW-MH-4.5
- IWW-W-4.5
- IWW-A-4.5
- IWW-C-4.5

- PAINT GRADE SOLID POPLAR.
- STAIN GRADE SOLID MAPLE.
- STAIN GRADE SOLID MAHOGANY.
- STAIN GRADE SOLID WALNUT.
- STAIN GRADE SOLID ASH.
- STAIN GRADE SOLID CYPRESS.

**SPECIFICATIONS**

**DESCRIPTION:**

WOOD LOUVER PANEL: SOLID WOOD  
LOUVERS, RAILS & STILES. WOOD SPECIES  
AS SPECIFIED.  
TILT ROD: SOLID WOOD.  
FINISH: AS SPECIFIED.



**Plan View Louver Open**

Scale: 2" = 1'-0"