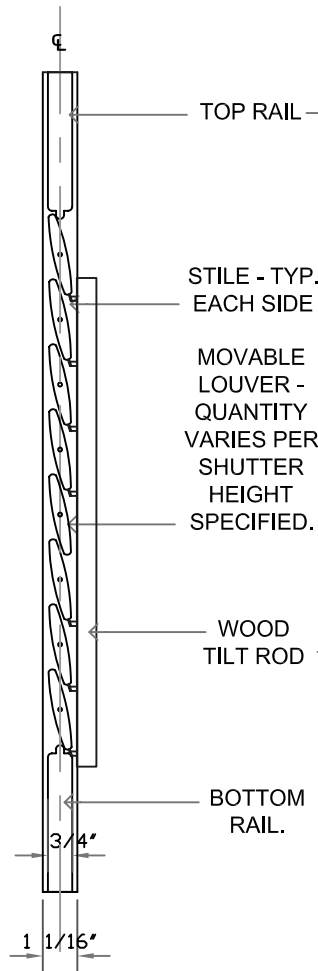


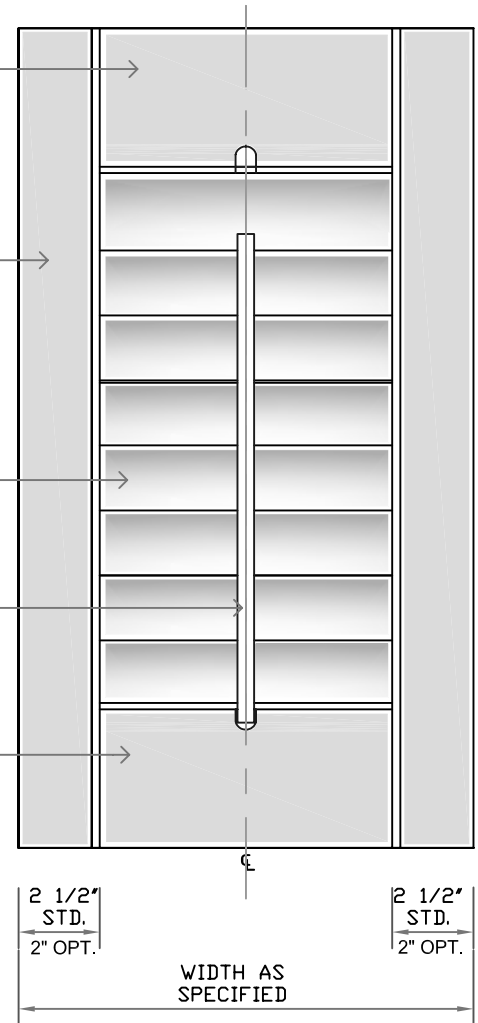
**Section -
Louver Open**

Scale: 2" = 1'-0"



**Section -
Louver Closed**

Scale: 2" = 1'-0"



Front View Louver Closed

Scale: 2" = 1'-0"

MODEL NUMBERS:

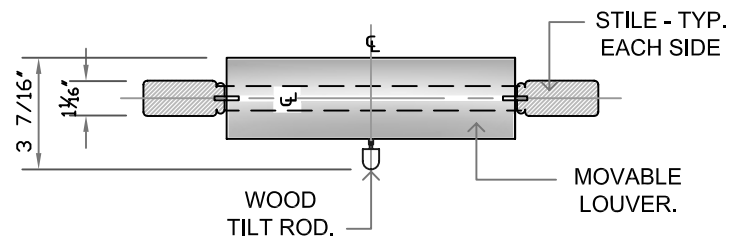
MATERIALS:

- | | |
|--------------|-----------------------------|
| STANDARD | |
| ○ IWW-P-2.5 | PAIN'T GRADE SOLID POPLAR. |
| OPTIONAL | |
| ○ IWW-M-2.5 | STAIN GRADE SOLID MAPLE. |
| ○ IWW-MH-2.5 | STAIN GRADE SOLID MAHOGANY. |
| ○ IWW-W-2.5 | STAIN GRADE SOLID WALNUT. |
| ○ IWW-A-2.5 | STAIN GRADE SOLID ASH. |
| ○ IWW-C-2.5 | STAIN GRADE SOLID CYPRESS. |

SPECIFICATIONS

DESCRIPTION:

WOOD LOUVER PANEL: SOLID WOOD
LOUVERS, RAILS & STILES. WOOD SPECIES
AS SPECIFIED.
TILT ROD: SOLID WOOD.
FINISH: AS SPECIFIED.



Plan View Louver Open

Scale: 2" = 1'-0"